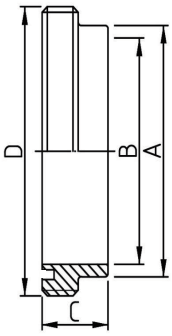
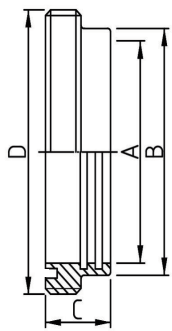


WELDING MALE SMS



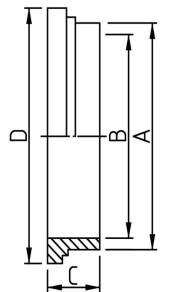
DN	A mm	B mm	C mm	D mm	E mm	kg	AISI 304/1.4301 Art.-Nr.	AISI 316L/1.4404 Art.-Nr.2
25	25.00	22.50	19.00	Rd40x1/6		0.06	101240-25	101270-25
38	38.00	35.50	23.00	Rd60x1/6		0.18	101240-38	101270-38
51	51.00	48.50	23.00	Rd70x1/6		0.19	101240-51	101270-51
63.5	63.50	60.50	27.00	Rd85x1/6		0.35	101240-63	101270-63
76.1	76.10	72.90	27.00	Rd98x1/6		0.43	101240-76	101270-76
101.6	101.60	97.60	30.00	Rd132x1/6		0.59	101240-101	101270-101
101.6	101.60	97.60	30.00	Rd125x1/4		0.53	101040-101	101070-101
104	104.00	100.00	30.00	Rd125x1/4		0.54	101240-104	101270-104

EXPANDING MALE SMS



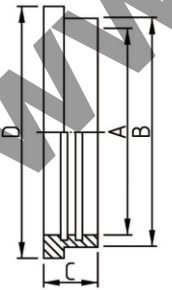
DN	A mm	B mm	C mm	D mm	E mm	kg	AISI 304/1.4301 Art.-Nr.	AISI 316L/1.4404 Art.-Nr.2
25	25.20	32.00	20.00	Rd40x1/6		0.07	103240-25	103270-25
38	38.20	48.00	23.00	Rd60x1/6		0.20	103240-38	103270-38
51	51.20	60.00	25.00	Rd70x1/6		0.22	103240-51	103270-51
63.5	63.70	73.50	30.00	Rd85x1/6		0.39	103240-63	103270-63
76.1	76.30	86.00	35.00	Rd98x1/6		0.46	103240-76	103270-76
101.6	101.80	109.60	30.00	Rd132x1/6		0.61	103240-101	103270-101
101.6	101.80	109.60	30.00	Rd125x1/4		0.55	103040-101	103070-101
104	104.20	110.00	30.00	Rd125x1/4		0.56	103240-104	103270-104

WELDING LINER SMS



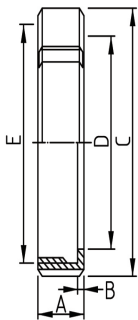
DN	A mm	B mm	C mm	D mm	E mm	kg	AISI 304/1.4301 Art.-Nr.	AISI 316L/1.4404 Art.-Nr.2
25	25.00	22.50	15.50	35.50		0.05	104240-25	104270-25
38	38.00	35.50	16.00	55.00		0.11	104240-38	104270-38
51	51.00	48.50	17.00	65.00		0.13	104240-51	104270-51
63.5	63.50	60.50	17.00	80.00		0.20	104240-63	104270-63
76.1	76.10	72.90	19.00	93.00		0.25	104240-76	104270-76
101.6	101.60	97.60	19.00	127.00		0.36	104240-101	104270-101
101.6	101.60	97.60	19.00	118.00		0.31	104040-101	104070-101
104	104.00	100.00	19.00	118.00		0.32	104240-104	104270-104

EXPANDING LINER SMS



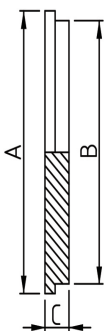
DN	A mm	B mm	C mm	D mm	E mm	kg	AISI 304/1.4301 Art.-Nr.	AISI 316L/1.4404 Art.-Nr.2
25	25.20	32.00	17.00	35.50		0.05	106240-25	106270-25
38	38.20	48.00	20.00	55.00		0.13	106240-38	106270-38
51	51.20	60.00	20.00	65.00		0.15	106240-51	106270-51
63.5	63.70	73.50	25.00	80.00		0.23	106240-63	106270-63
76.1	76.20	86.00	30.00	93.00		0.33	106240-76	106270-76
101.6	101.80	109.60	35.00	127.00		0.39	106240-101	106270-101
101.6	101.80	109.60	27.00	118.00		0.36	106040-101	106070-101
104	104.20	110.00	27.00	118.00		0.37	106240-104	106270-104

NUT 6 SLOTS
SMS



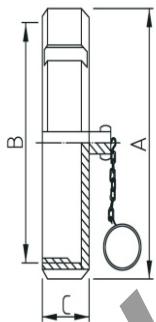
DN	A mm	B mm	C mm	D mm	E mm	kg	AISI 304/1.4301 Art.-Nr.	AISI 316L/1.4404 Art.-Nr.2
25	19.00	4.00	51.00	32.30	40 x 1/6"	0.11	107240-25	
38	23.00	4.00	74.00	48.50	60 x 1/6"	0.25	107240-38	
51	24.00	5.00	84.00	61.00	70 x 1/6"	0.30	107240-51	
63.5	28.00	5.00	100.00	74.00	85 x 1/6"	0.45	107240-63	
76.1	30.00	6.00	114.00	87.00	98 x 1/6"	0.63	107240-76	
101.6	31.00	5.00	150.00	117.00	132 x 1/6"	0.98	107240-101	
101,6/104	31.00	5.00	138.00	113.00	125 x 1/4"	0.88	107040-101	

BLANK CAP
SMS



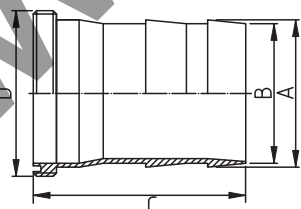
DN	A mm	B mm	C mm	D mm	E mm	kg	AISI 304/1.4301 Art.-Nr.	AISI 316L/1.4404 Art.-Nr.2
25	35.50	32.00	7.50			0.05	108240-25	108270-25
38	55.00	48.00	9.00			0.14	108240-38	108270-38
51	65.00	60.00	10.00			0.22	108240-51	108270-51
63.5	80.00	73.50	10.00			0.33	108240-63	108270-63
76.1	93.00	86.00	11.00			0.51	108240-76	108270-76
101.6	127.00	116.00	13.00			1.06	108240-101	108270-101
101,6/104	118.00	112.00	11.00			0.98	108040-101	108070-101

BLIND NUT WITH BOSS
SMS

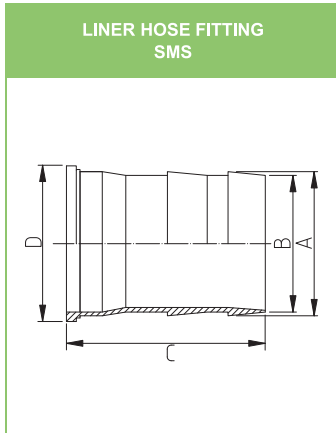


DN	A mm	B mm	C mm	D mm	E mm	kg	AISI 304/1.4301 Art.-Nr.	AISI 316L/1.4404 Art.-Nr.2
25	51.00	40 x 1/6"	19.00			0.18	109240-25	
38	74.00	60 x 1/6"	23.00			0.27	109240-38	
51	84.00	70 x 1/6"	24.00			0.41	109240-51	
63.5	100.00	85 x 1/6"	28.00			0.75	109240-63	
76.1	114.00	98 x 1/6"	30.00			0.94	109240-76	
101.6	150.00	132 x 1/6"	31.00			1.50	109240-101	
101,6/104	132.00	125 x 1/4"	31.00			1.30	109040-101	

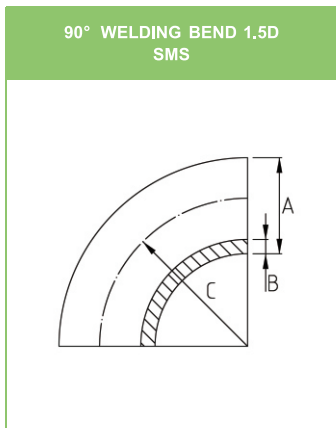
MALE HOSE FITTING
SMS



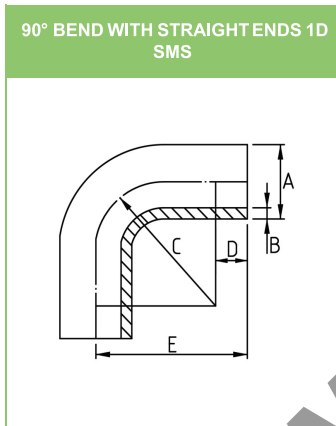
DN	A mm	B mm	C mm	D mm	E mm	kg	AISI 304/1.4301 Art.-Nr.	AISI 316L/1.4404 Art.-Nr.2
25	25.40	22.40	68.00	40 x 1/6"		0.10	151240-25	151270-25
38	38.10	35.10	85.00	60 x 1/6"		0.22	151240-38	151270-38
51	50.80	47.20	100.00	70 x 1/6"		0.34	151240-51	151270-51
63.5	63.50	59.90	123.00	85 x 1/6"		0.43	151240-63	151270-63
76.1	76.20	72.60	135.00	98 x 1/6"		0.58	151240-76	151270-76
101.6	101.60	98.00	137.00	132 x 1/6"		0.90	151240-101	151270-101
101.6	101.60	98.00	137.00	125 x 1/4"		0.86	151040-101	151070-101
104	103.60	100.00	137.00	125 x 1/4"		0.88	151240-104	151270-104



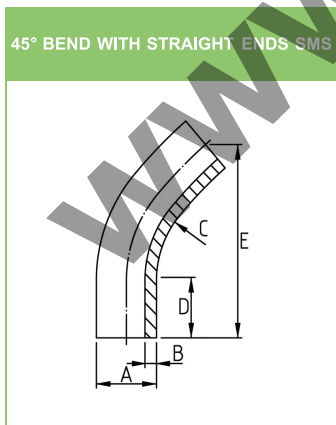
DN	A mm	B mm	C mm	D mm	E mm	kg	AISI 304/1.4301 Art.-Nr.	AISI 316L/1.4404 Art.-Nr.2
25	25.40	22.40	63.50	35.50		0.08	152240-25	152270-25
38	38.10	35.10	78.00	55.00		0.16	152240-38	152270-38
51	50.80	47.20	92.00	65.00		0.20	152240-51	152270-51
63.5	63.50	59.90	110.00	80.00		0.29	152240-63	152270-63
76.1	76.20	72.60	119.00	93.00		0.41	152240-76	152270-76
101.6	101.60	98.00	126.00	127.00		0.69	152240-101	152270-101
101.6	101.60	98.00	126.00	118.00		0.67	152040-101	152070-101
104	103.60	100.00	126.00	118.00		0.68	152240-104	152270-104



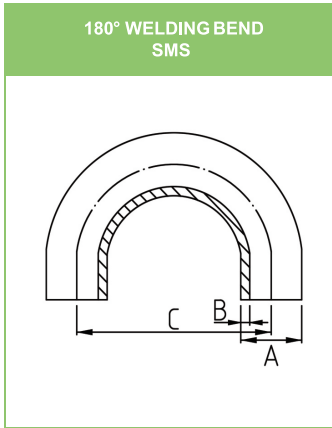
DN	A mm	B mm	C mm	D mm	E mm	kg	AISI 304/1.4301 Art.-Nr.	AISI 316L/1.4404 Art.-Nr.2
25	25.00	1.25	37.50			0.04	301240-25	301270-25
38	38.00	1.25	57.00			0.10	301240-38	301270-38
51	51.00	1.25	76.50			0.21	301240-51	301270-51
63.5	63.50	1.50	95.25			0.32	301240-63	301270-63
76.1	76.10	1.60	114.15			0.63	301240-76	301270-76
101.6	101.60	2.00	152.10			1.30	301240-101	301270-101
104	104.00	2.00	150.00			1.31	301240-104	301270-104



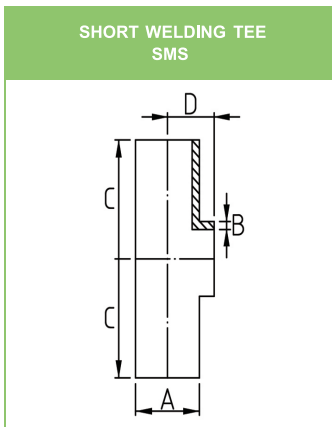
DN	A mm	B mm	C mm	D mm	E mm	kg	AISI 304/1.4301 Art.-Nr.	AISI 316L/1.4404 Art.-Nr.2
25	25.00	1.25	32.00	23.00	55.00	0.04	302240-25	302270-25
38	38.00	1.25	45.00	25.00	70.00	0.10	302240-38	302270-38
51	51.00	1.25	58.00	24.00	82.00	0.21	302240-51	302270-51
63.5	63.50	1.50	70.00	35.00	105.00	0.32	302240-63	302270-63
76.1	76.10	1.60	76.00	34.00	110.00	0.63	302240-76	302270-76
101.6	101.60	2.00	110.00	40.00	150.00	1.30	302240-101	302270-101
104	104.00	2.00	110.00	40.00	150.00	1.31	302240-104	302270-101



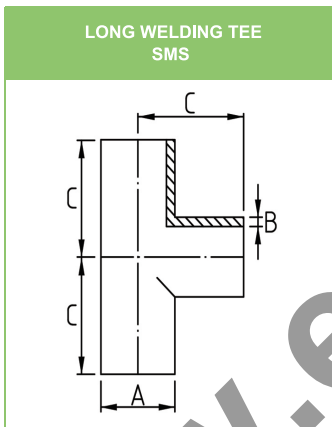
DN	A mm	B mm	C mm	D mm	E mm	kg	AISI 304/1.4301 Art.-Nr.	AISI 316L/1.4404 Art.-Nr.2
25	25.00	1.25	37.00	25.00	80.00	0.07	312240-25	312270-25
38	38.00	1.25	38.00	30.00	105.00	0.12	312240-38	312270-38
51	51.00	1.25	51.00	30.00	103.00	0.22	312240-51	312270-51
63.5	63.50	1.50	90.00	35.00	115.00	0.35	312240-63	312270-63
76.1	76.10	1.60	95.00	35.00	135.00	0.51	312240-76	312270-76
101.6	101.60	2.00	110.00	35.00	150.00	0.93	312240-101	312270-101
104	104.00	2.00	110.00	35.00	150.00	0.95	312240-104	312270-101



DN	A mm	B mm	C mm	D mm	E mm	kg	AISI 304/1.4301 Art.-Nr.	AISI 316L/1.4404 Art.-Nr.2
25	25.00	1.25	81.00			0.17	321240-25	321270-25
38	38.00	1.25	106.00			0.32	321240-38	321270-38
51	51.00	1.25	144.00			0.48	321240-51	321270-51
63.5	63.50	1.50	172.00			0.70	321240-63	321270-63
76.1	76.10	1.60	175.00			1.29	321240-76	321270-76
101.6	101.60	2.00	220.00			2.40	321240-101	321270-101
104	104.00	2.00	220.00			2.42	321240-104	321270-104

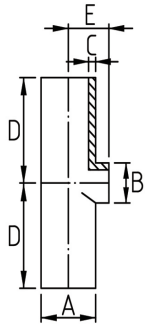


DN	A mm	B mm	C mm	D mm	E mm	kg	AISI 304/1.4301 Art.-Nr.	AISI 316L/1.4404 Art.-Nr.2
25	25.00	1.25	55.00	14.00		0.10	331240-25	331270-25
38	38.00	1.25	70.00	21.00		0.16	331240-38	331270-38
51	51.00	1.25	82.00	28.50		0.24	331240-51	331270-51
63.5	63.50	1.50	105.00	36.00		0.46	331240-63	331270-63
76.1	76.10	1.60	110.00	43.00		0.78	331240-76	331270-76
101.6	101.60	2.00	150.00	58.00		1.41	331240-101	331270-101
104	104.00	2.00	150.00	58.00		1.42	331240-104	331270-104



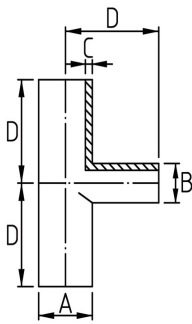
DN	A mm	B mm	C mm	D mm	E mm	kg	AISI 304/1.4301 Art.-Nr.	AISI 316L/1.4404 Art.-Nr.2
25	25.00	1.25	55.00			0.11	332240-25	332270-25
38	38.00	1.25	70.00			0.23	332240-38	332270-38
51	51.00	1.25	82.00			0.33	332240-51	332270-51
63.5	63.50	1.50	105.00			0.65	332240-63	332270-63
76.1	76.10	1.60	110.00			1.05	332240-76	332270-76
101.6	101.60	2.00	150.00			2.00	332240-101	332270-101
104	104.00	2.00	150.00			2.02	332240-104	332270-104

REDUCED WELDING SHORT TEE SMS



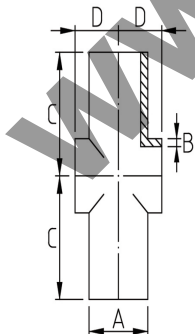
DN	A mm	B mm	C mm	D mm	E mm	kg	AISI 304/1.4301 Art.-Nr.	AISI 316L/1.4404 Art.-Nr.2
38-25	38.00	25.00	1.25	70.00	22.00	0.20	333240-3825	333270-3825
51-25	51.00	25.00	1.25	82.00	28.00	0.29	333240-5125	333270-5125
51-38	51.00	38.00	1.25	82.00	28.00	0.29	333240-5138	333270-5138
63.5-25	63.50	25.00	1.50	105.00	36.00	0.50	333240-6325	333270-6325
63.5-38	63.50	38.00	1.50	105.00	36.00	0.50	333240-6338	333270-6338
63.5-51	63.50	51.00	1.50	105.00	36.00	0.48	333240-6351	333270-6351
76.1-25	76.10	25.00	1.60	110.00	44.00	0.80	333240-7625	333270-7625
76.1-38	76.10	38.00	1.60	110.00	44.00	0.78	333240-7638	333270-7638
76.1-51	76.10	51.00	1.60	110.00	44.00	0.78	333240-7651	333270-7651
76.1-63.5	76.10	63.50	1.60	110.00	44.00	0.78	333240-7663	333270-7663
101.6-25	101.60	25.00	2.00	150.00	58.00	1.50	333240-10125	333270-10125
101.6-38	101.60	38.00	2.00	150.00	58.00	1.50	333240-10138	333270-10138
101.6-51	101.60	51.00	2.00	150.00	58.00	1.48	333240-10151	333270-10151
101.6-63.5	101.60	63.50	2.00	150.00	58.00	1.48	333240-10163	333270-10163
101.6-76.1	101.60	76.10	2.00	150.00	58.00	1.48	333240-10176	333270-10176
104-25	101.60	25.00	2.00	150.00	58.00	1.52	333240-10425	333270-10425
104-38	101.60	38.00	2.00	150.00	58.00	1.52	333240-10438	333270-10438
104-51	101.60	51.00	2.00	150.00	58.00	1.50	333240-10451	333270-10451
104-63.5	101.60	63.50	2.00	150.00	58.00	1.50	333240-10463	333270-10463
104-76.1	101.60	76.10	2.00	150.00	58.00	1.50	333240-10476	333270-10476

REDUCED WELDING SHORT TEE SMS



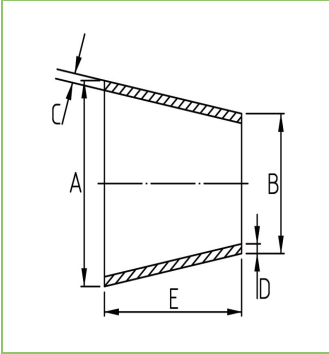
DN	A mm	B mm	C mm	D mm	E mm	kg	AISI 304/1.4301 Art.-Nr.	AISI 316L/1.4404 Art.-Nr.2
38-25	38.00	25.00	1.25	70.00		0.24	335240-3825	335270-3825
51-25	51.00	25.00	1.25	82.00		0.35	335240-5125	335270-5125
51-38	51.00	38.00	1.25	82.00		0.35	335240-5138	335270-5138
63.5-25	63.50	25.00	1.50	105.00		0.60	335240-6325	335270-6325
63.5-38	63.50	38.00	1.50	105.00		0.60	335240-6338	335270-6338
63.5-51	63.50	51.00	1.50	105.00		0.58	335240-6351	335270-6351
76.1-25	76.10	25.00	1.60	110.00		0.96	335240-7625	335270-7625
76.1-38	76.10	38.00	1.60	110.00		0.94	335240-7638	335270-7638
76.1-51	76.10	51.00	1.60	110.00		0.94	335240-7651	335270-7651
76.1-63.5	76.10	63.50	1.60	110.00		0.94	335240-7663	335270-7663
101.6-25	101.60	25.00	2.00	150.00		1.80	335240-10125	335270-10125
101.6-38	101.60	38.00	2.00	150.00		1.80	335240-10138	335270-10138
101.6-51	101.60	51.00	2.00	150.00		1.78	335240-10151	335270-10151
101.6-63.5	101.60	63.50	2.00	150.00		1.78	335240-10163	335270-10163
101.6-76.1	101.60	76.10	2.00	150.00		1.78	335240-10176	335270-10176
104-25	101.60	25.00	2.00	150.00		1.82	335240-10425	335270-10425
104-38	101.60	38.00	2.00	150.00		1.82	335240-10438	335270-10438
104-51	101.60	51.00	2.00	150.00		1.80	335240-10451	335270-10451
104-63.5	101.60	63.50	2.00	150.00		1.80	335240-10463	335270-10463
104-76.1	101.60	76.10	2.00	150.00		1.80	335240-10476	335270-10476

WELDING CROSS SMS



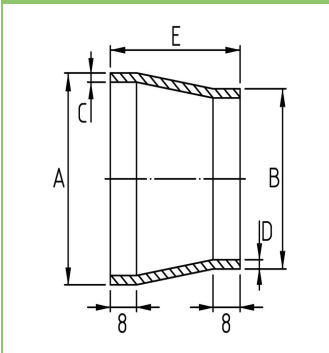
DN	A mm	B mm	C mm	D mm	E mm	kg	AISI 304/1.4301 Art.-Nr.	AISI 316L/1.4404 Art.-Nr.2
25	25.00	1.25	55.00	14.00		0.10	334240-25	334270-25
38	38.00	1.25	70.00	21.00		0.16	334240-38	334270-38
51	51.00	1.25	82.00	28.50		0.24	334240-51	334270-51
63.5	63.50	1.50	105.00	36.00		0.46	334240-63	334270-63
76.1	76.10	1.60	110.00	43.00		0.78	334240-76	334270-76
101.6	101.60	2.00	150.00	58.00		1.41	334240-101	334270-101
104	104.00	2.00	150.00	58.00		1.43	334240-104	334270-104

CONCENTRIC REDUCER WITHOUT STRAIGHT END SMS



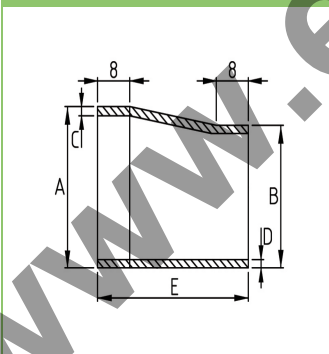
DN	A mm	B mm	C mm	D mm	E mm	kg	AISI 304/1.4301 Art.-Nr.	AISI 316L/1.4404 Art.-Nr.2
38-25	38.00	25.00	1.25	1.25	39.00	0.03	341240-3825	341270-3825
51-25	51.00	25.00	1.25	1.25	78.00	0.08	341240-5125	341270-5125
51-38	51.00	38.00	1.25	1.25	39.00	0.05	341240-5138	341270-5138
63.5-25	63.50	25.00	1.50	1.25	78.00	0.15	341240-6325	341270-6325
63.5-38	63.50	38.00	1.50	1.25	75.00	0.12	341240-6338	341270-6338
63.5-51	63.50	51.00	1.60	1.25	36.00	0.70	341240-6351	341270-6351
76.1-25	76.10	25.00	1.60	1.25	118.00	0.32	341240-7625	341270-7625
76.1-38	76.10	38.00	1.60	1.25	114.00	0.25	341240-7638	341270-7638
76.1-51	76.10	51.00	1.60	1.25	75.00	0.17	341240-7651	341270-7651
76.1-63.5	76.10	63.50	1.60	1.50	39.00	0.09	341240-7663	341270-7663
101.6-51	101.60	51.00	2.00	1.25	159.00	0.50	341240-10151	341270-10151
101.6-63.5	101.60	63.50	2.00	1.50	123.00	0.40	341240-10163	341270-10163
101.6-76.1	101.60	76.10	2.00	1.60	84.00	0.35	341240-10176	341270-10176
104-51	104.00	51.00	2.00	1.25	159.00	0.52	341240-10451	341270-10451
104-63.5	104.00	63.50	2.00	1.50	123.00	0.42	341240-10463	341270-10463
104-76.1	104.00	76.10	2.00	1.60	84.00	0.37	341240-10476	341270-10476

CONCENTRIC REDUCER WITH STRAIGHT ENDS SMS



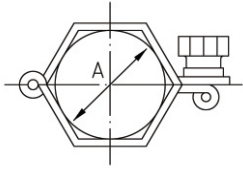
DN	A mm	B mm	C mm	D mm	E mm	kg	AISI 304/1.4301 Art.-Nr.	AISI 316L/1.4404 Art.-Nr.2
38-25	38.00	25.00	1.25	1.25	39.00	0.03	342240-3825	342270-3825
51-25	51.00	25.00	1.25	1.25	57.00	0.08	342240-5125	342270-5125
51-38	51.00	38.00	1.25	1.25	39.00	0.05	342240-5138	342270-5138
63.5-25	63.50	25.00	1.50	1.25	74.00	0.15	342240-6325	342270-6325
63.5-38	63.50	38.00	1.50	1.25	57.00	0.12	342240-6338	342270-6338
63.5-51	63.50	51.00	1.60	1.25	39.00	0.70	342240-6351	342270-6351
76.1-25	76.10	25.00	1.60	1.25	92.00	0.32	342240-7625	342270-7625
76.1-38	76.10	38.00	1.60	1.25	74.00	0.25	342240-7638	342270-7638
76.1-51	76.10	51.00	1.60	1.25	57.00	0.17	342240-7651	342270-7651
76.1-63.5	76.10	63.50	1.60	1.50	39.00	0.09	342240-7663	342270-7663
101.6-51	101.60	51.00	2.00	1.25	95.00	0.50	342240-10151	342270-10151
101.6-63.5	101.60	63.50	2.00	1.50	78.00	0.40	342240-10163	342270-10163
101.6-76.1	101.60	76.10	2.00	1.60	60.00	0.35	342240-10176	342270-10176
104-51	104.00	51.00	2.00	1.25	95.00	0.52	342240-10451	342270-10451
104-63.5	104.00	63.50	2.00	1.50	78.00	0.42	342240-10463	342270-10463
104-76.1	104.00	76.10	2.00	1.60	60.00	0.37	342240-10476	342270-10476

ECCENTRIC REDUCER WITH STRAIGHT ENDS SMS



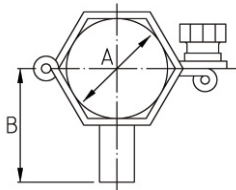
DN	A mm	B mm	C mm	D mm	E mm	kg	AISI 304/1.4301 Art.-Nr.	AISI 316L/1.4404 Art.-Nr.2
38-25	38.00	25.00	1.25	1.25	46.00	0.03	344240-3825	344270-3825
51-25	51.00	25.00	1.25	1.25	68.00	0.08	344240-5125	344270-5125
51-38	51.00	38.00	1.25	1.25	47.00	0.05	344240-5138	344270-5138
63.5-25	63.50	25.00	1.50	1.25	92.00	0.15	344240-6325	344270-6325
63.5-38	63.50	38.00	1.50	1.25	70.00	0.12	344240-6338	344270-6338
63.5-51	63.50	51.00	1.50	1.25	44.00	0.70	344240-6351	344270-6351
76.1-38	76.10	38.00	1.60	1.25	92.00	0.25	344240-7638	344270-7638
76.1-51	76.10	51.00	1.60	1.25	68.00	0.17	344240-7651	344270-7651
76.1-63.5	76.10	63.50	1.60	1.50	47.00	0.09	344240-7663	344270-7663
101.6-51	101.60	51.00	2.00	1.25	117.00	0.50	344240-10151	344270-10151
101.6-63.5	101.60	63.50	2.00	1.50	94.00	0.40	344240-10163	344270-10163
101.6-76.1	101.60	76.10	2.00	1.60	74.00	0.35	344240-10176	344270-10176
104-51	104.00	51.00	2.00	1.25	117.00	0.52	344240-10451	344270-10451
104-63.5	104.00	63.50	2.00	1.50	94.00	0.42	344240-10463	344270-10463
104-76.1	104.00	76.10	2.00	1.60	74.00	0.37	344240-10476	344270-10476

HEXAGONAL PIPE HANGER WITHOUT SHANK SMS



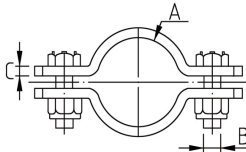
DN	A mm	B mm	C mm	D mm	E mm	kg	AISI 304/1.4301 Art.-Nr.	AISI 316L/1.4404 Art.-Nr.2
25	25.00					0.09	363240-25	
38	38.00					0.11	363240-38	
51	51.00					0.13	363240-51	
63.5	63.50					0.16	363240-63	
76.1	76.10					0.17	363240-76	
101.6	101.60					0.22	363240-101	
104	104.00					0.24	363240-104	

HEXAGONAL PIPE HANGER WITH SHANK SMS



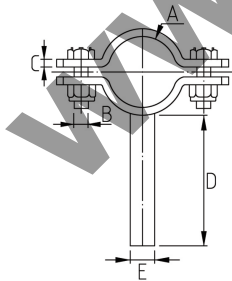
DN	A mm	B mm	C mm	D mm	E mm	kg	AISI 304/1.4301 Art.-Nr.	AISI 316L/1.4404 Art.-Nr.2
25	25.00	100.00				0.14	364240-25	
38	38.00	100.00				0.16	364240-38	
51	51.00	100.00				0.18	364240-51	
63.5	63.50	100.00				0.20	364240-63	
76.1	76.10	100.00				0.21	364240-76	
101.6	101.60	100.00				0.25	364240-101	
104	104.00	100.00				0.27	364240-101	

ROUND PIPE HANGER SMS WITHOUT SHANK



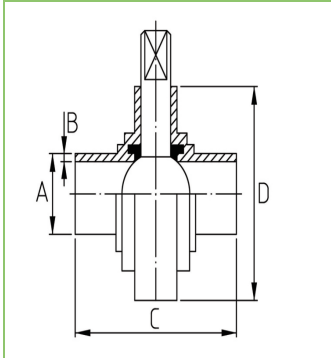
DN	A mm	B mm	C mm	D mm	E mm	kg	AISI 304/1.4301 Art.-Nr.	AISI 316L/1.4404 Art.-Nr.2
25	25.00	M6x20	20x3			0.96	361240-25	
38	38.00	M6x20	20x3			0.08	361240-38	
51	51.00	M6x20	20x3			0.10	361240-51	
63	63.50	M6x25	20x3			0.13	361240-63	
76	76.00	M6x25	25x3			0.17	361240-76	
101	101.60	M6x25	25x3			0.23	361240-101	
104	104.00	M6x25	25x3			0.24	361240-104	

ROUND PIPE HANGER SMS WITH SHANK



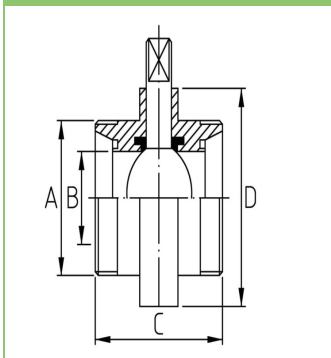
DN	A mm	B mm	C mm	D mm	E mm	kg	AISI 304/1.4301 Art.-Nr.	AISI 316L/1.4404 Art.-Nr.2
25	25.00	M6x20	20x3	55.00	8.00	0.10	362240-25	
38	38.00	M6x20	20x3	55.00	10.00	0.12	362240-38	
51	51.00	34-38	20x3	55.00	12.00	0.16	362240-51	
63	63.50	M6x25	20x3	55.00	12.00	0.18	362240-63	
76	76.00	M6x25	25x3	55.00	12.00	0.22	362240-76	
101	101.60	M6x25	25x3	55.00	12.00	0.29	362240-101	
104	104	M6x25	25x3	55.00	12.00	0.29	362240-104	

LONG WELDED ENDS BUTTERFLY VALVE



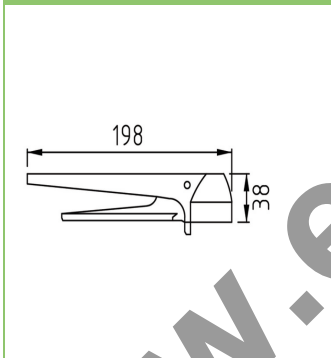
DN	A mm	B mm	C mm	D mm	E mm	kg	AISI 304/1.4301 Art.-Nr.	AISI 316L/1.4404 Art.-Nr.2
25	25.00	1.25	68.00	79.00	SMS	0.73	553241-25	553271-25
38	38.00	1.25	76.00	85.00	SMS	0.97	553241-38	553271-38
51	51.00	1.50	80.00	105.00	SMS	1.27	553241-51	553271-51
63.5	63.50	1.65	80.00	112.00	SMS	1.46	553241-63	553271-63
76.1	76.10	2.00	82.00	125.00	SMS	1.76	553241-76	553271-76
101.6	101.60	2.00	88.00	157.00	SMS	2.84	553241-101	553271-101
104	104.00	2.00	88.00	157.00	SMS	2.84	553141-104	553171-104

LONG THREADED ENDS BUTTERFLY VALVE



DN	A mm	B mm	C mm	D mm	E mm	kg	AISI 304/1.4301 Art.-Nr.	AISI 316L/1.4404 Art.-Nr.2
25	Rd40x1/6	22.50	68.00	79.00	SMS	0.97	554241-25	554271-25
38	Rd60x1/6	35.40	76.00	85.00	SMS	1.27	554241-38	554271-38
51	Rd70x1/6	48.00	80.00	105.00	SMS	1.89	554241-51	554271-51
63.5	Rd85x1/6	60.20	80.00	112.00	SMS	2.30	554241-63	554271-63
76.1	Rd98x1/6	72.10	82.00	125.00	SMS	2.76	554241-76	554271-76
101,6/104	Rd132x1/6	97.60	88.00	157.00	SMS	4.24	554241-101	554271-101

MULTI-POSITION HANDLE FOR LONG ENDS VALVE



DN	A mm	B mm	C mm	D mm	E mm	kg	AISI 304/1.4301 Art.-Nr.	AISI 316/1.4408 Art.-Nr.2
25-65						0.52	591040-2565	
80-100						0.52	591040-80100	